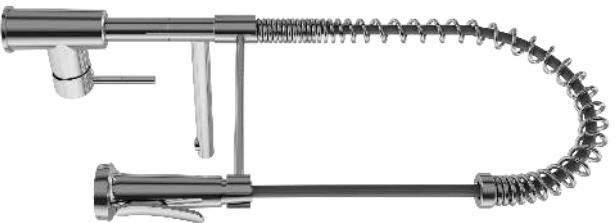


MAGGIORE 2.0

DUAL-SPOUT PROFESSIONAL KITCHEN FAUCET



Product Code
2019 0001 XX

FEATURES:

- 35 mm ceramic disc valve cartridge
- Cartridge working life: >500,000 times
- Lead-Free faucet body, contains ≤ 0.25% total lead content by weighted volume
- Maximum flow rate = 1.8 gpm (6.8 l/min) at 72 psi
- Spout swivels 360°
- Needle Spray with flexible, weighted gooseneck shower hose
- 90° forward handle
- Includes flexible inlet hoses, each 24"
- Stabilizer flange included
- Extended 3.5 in shank

WEIGHT: 4.8 lbs

AVAILABLE FINISHES:

- CH - Chrome
- SS - Stainless Steel
- MB - Matte Black

DIMENSIONS:

- Spout length = 7.3 in (186 mm)
- Sprayer head length = 11.1 in (281.8 mm)
- Sprayer pull-down length = 18 in (457 mm)
- Overall Faucet height = 26 in (660 mm)

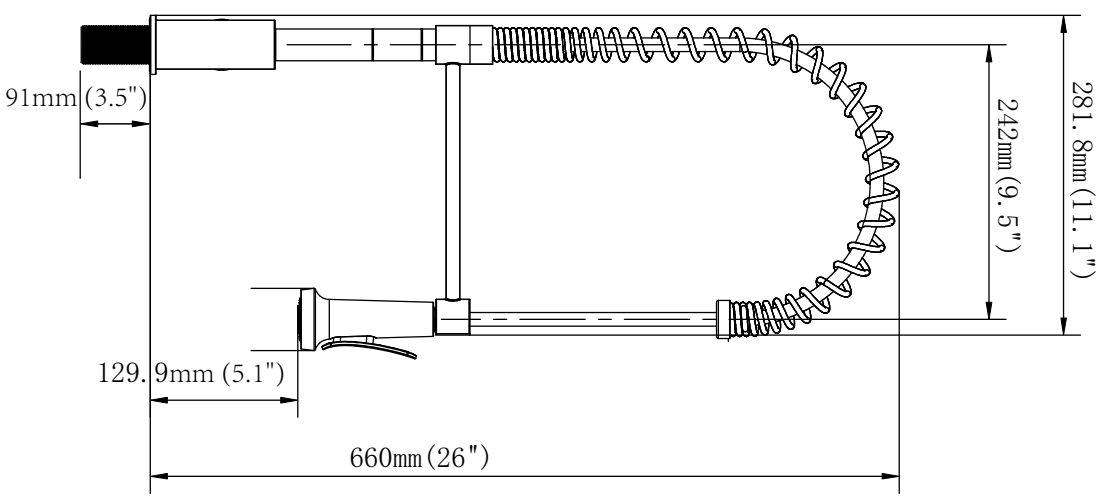
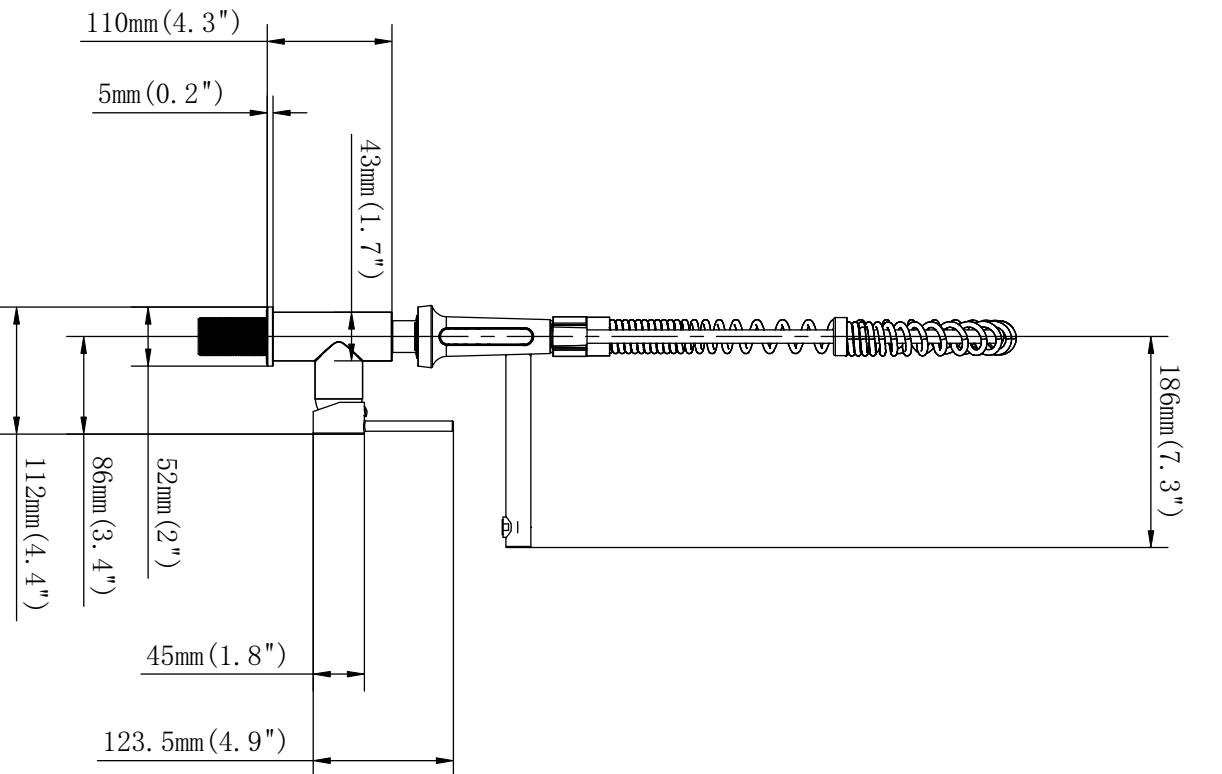
OPTIONAL ACCESSORIES:

- 2180 0003 - Contemporary Deck Plate
- 2180 0004 - Traditional Deck Plate
- 2340 0005 - Lesina Soap Dispenser
- 2340 0006 - Tronto 2.0 Soap Dispenser

CODES / STANDARDS:

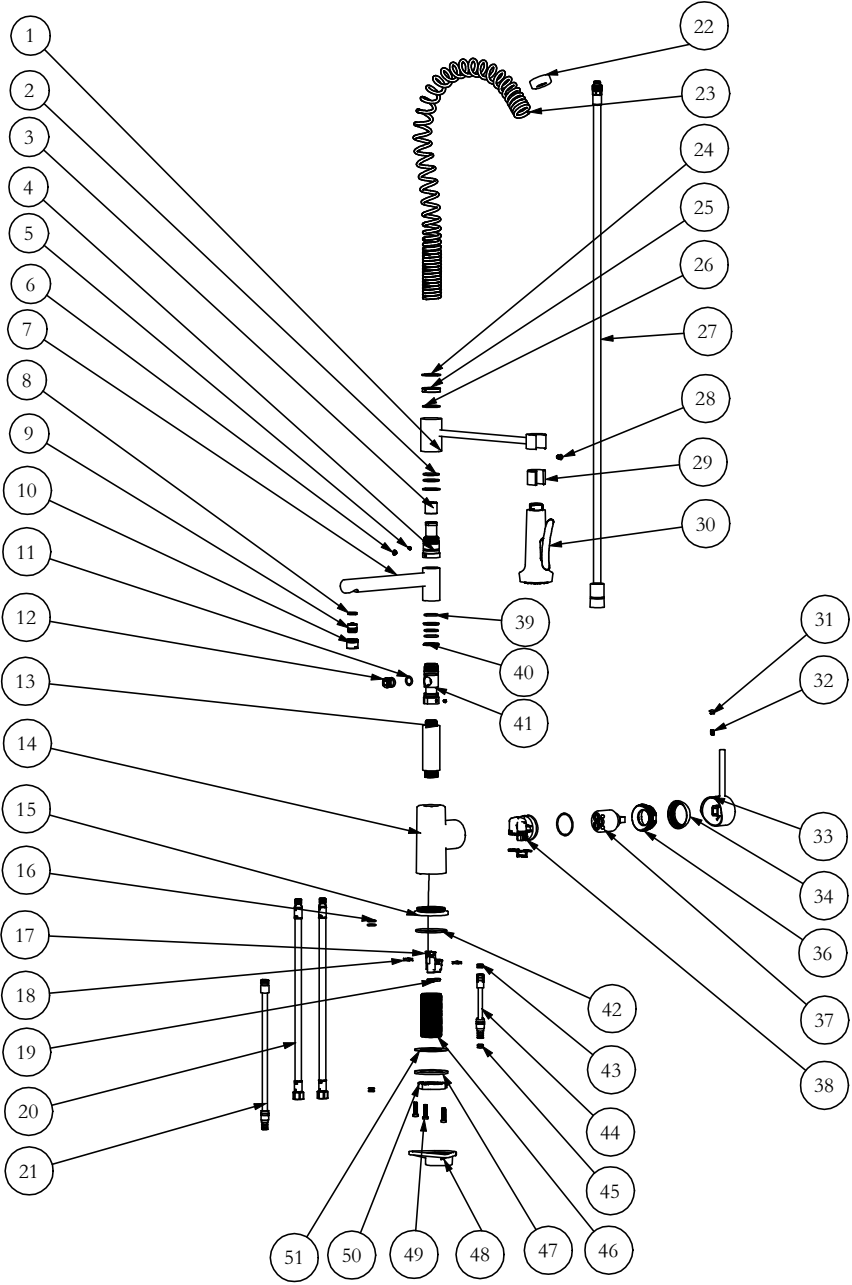
ASME A112.18.1 / CSA B125.1 / NSF 61 / NSF 372 / AB1954 / DOE - Energy Policy Act 1992 / CEC - California Energy Consumption / Meets CalGreen requirements for kitchen faucets

BOCCHI



IMPORTANT: These measurements are subject to change or cancellation. No responsibility is assumed for use of superseded or voided pages. BOCCHI reserves the right to make revisions without notice to product specifications.

BOCCHI



51	D54X33_6X01	Washer	EPDM	1
50	99910091059	Mounting Nut	Aluminium Alloy	1
49	C5X20X04M	Screw	Steel	3
48	113110411013	Stabilizer Gasket	POM	1
47	99910031177	Washer	Iron	1
46	121010481014	Install Threaded Pipe	Aluminium Alloy	1
45	R6_07X1_78X02	O-ring	EPDM	4
44	99910060602	PE-RT Assembly	PE-RT	1
43	R6_75X1_78X01	O-ring	NBR	2
42	R46X2_5X01	O-ring	NBR	1
41	121011431003	Spindle	Brass	1
40	121011431002	Washer	POM	2
39	R19X2X01	O-ring	NBR	3
38	121010521011	Cartridge Seat	PPA+50%GF	1
37	F35X55_6X04	Cartridge		1
36	121010281016	Nut	Brass	1
34	99910101928	Decorative Cover	ABS	1
33	121011431011	Handle	Zinc Alloy	1
32	C5X8X03M	Screw	Steel	1
31	99910101773	Cap	SIL	1
30	121011430002	Sprayer	ABS	1
29	121011431010	Pin	POM	1
28	C4X7X01M	Screw	SUS304	1
27	99910060713	Pull-down Hose Assembly	TPE+PA	1
26	121110131011	Washer	POM	2
25	121011431007	Nut	Brass	1
24	121010211004	Washer	Teflon	1
23	121011431009	Spring	Steel	1
22	121011431008	Decorative Cover	Brass	1
21	99910060699	PE-RT Assembly	PE-RT	1
20	99910060483	Inlet Hose Assembly	TPE+SUS304	2
19	121010441012	Connection Strap	PPO+20%GF	1
18	121010441010	Pin	POM	2
17	121010441011	Connector	PPO+20%GF	1
16	R10X2X02	O-ring	NBR	2
15	121011431005	Flange	Zinc Alloy	1
14	121010221017	Body	Zinc Alloy	1
13	121011431000	Tube	Steel	1
12	121010941021	Changeover Valve		1
11	R11X2X01	O-ring	NBR	1
10	99910102274	Shell	Brass	1
9	U0_591X0_508X02	Aerator Assembly	POM	1
8	D15X11X05	Washer	NBR	1
7	121011431001	Tube	Steel	1
6	111510091037	Cap	SIL	1
5	C4X3X01M	Screw	Steel	2
4	121011431004	Connection	Brass	1
3	121011431018	Gasket	POM	1
2	R22X2X01	O-ring	NBR	2
1	121011431006	Holder	Zinc Alloy	1
NO.	DWG.NO.	NAME	MATERIAL	QTY

IMPORTANT: These measurements are subject to change or cancellation. No responsibility is assumed for use of superseded or voided pages. BOCCHI reserves the right to make revisions without notice to product specifications.